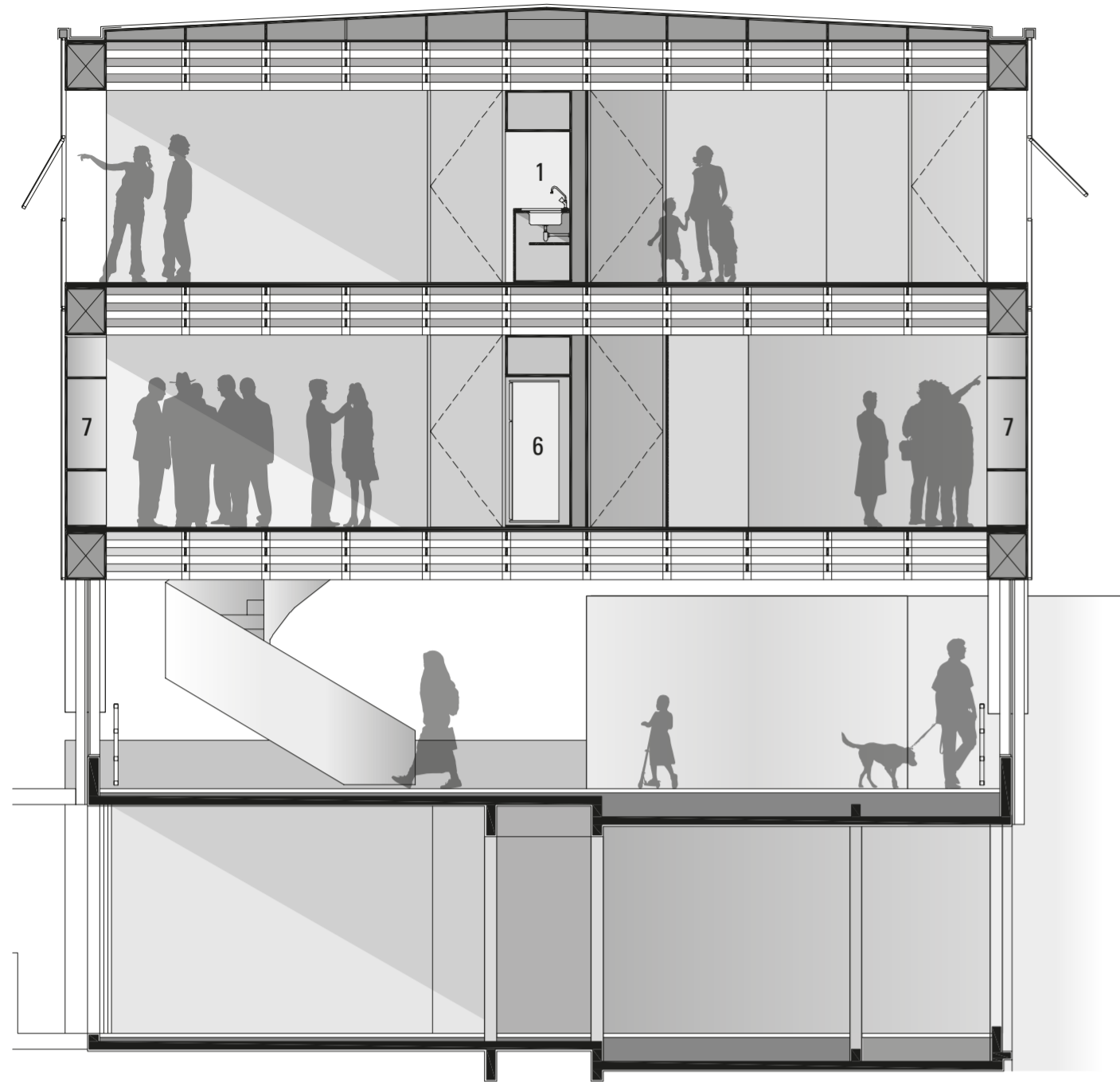
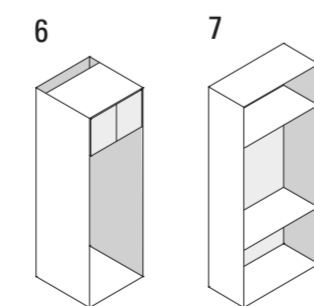
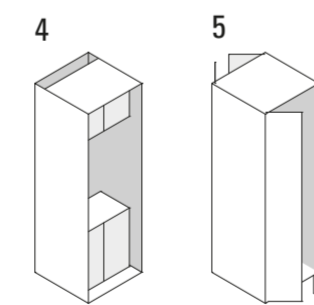
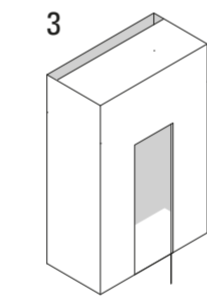
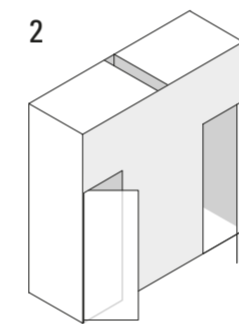
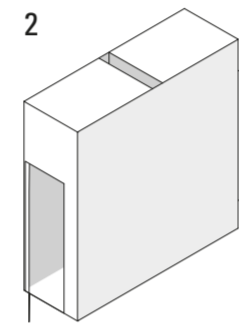
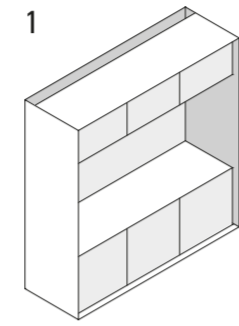


transversal section
Esc 1:75



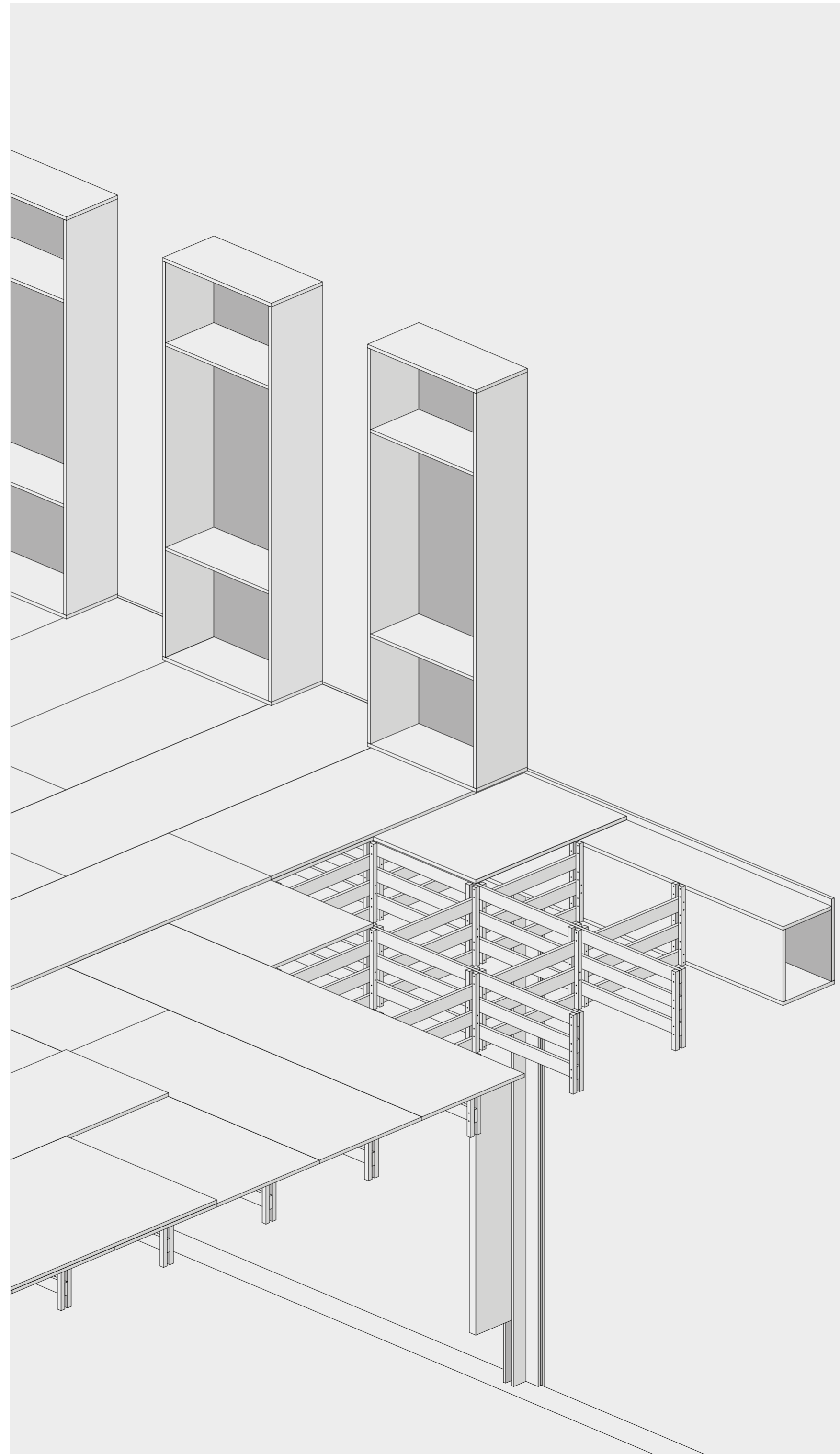
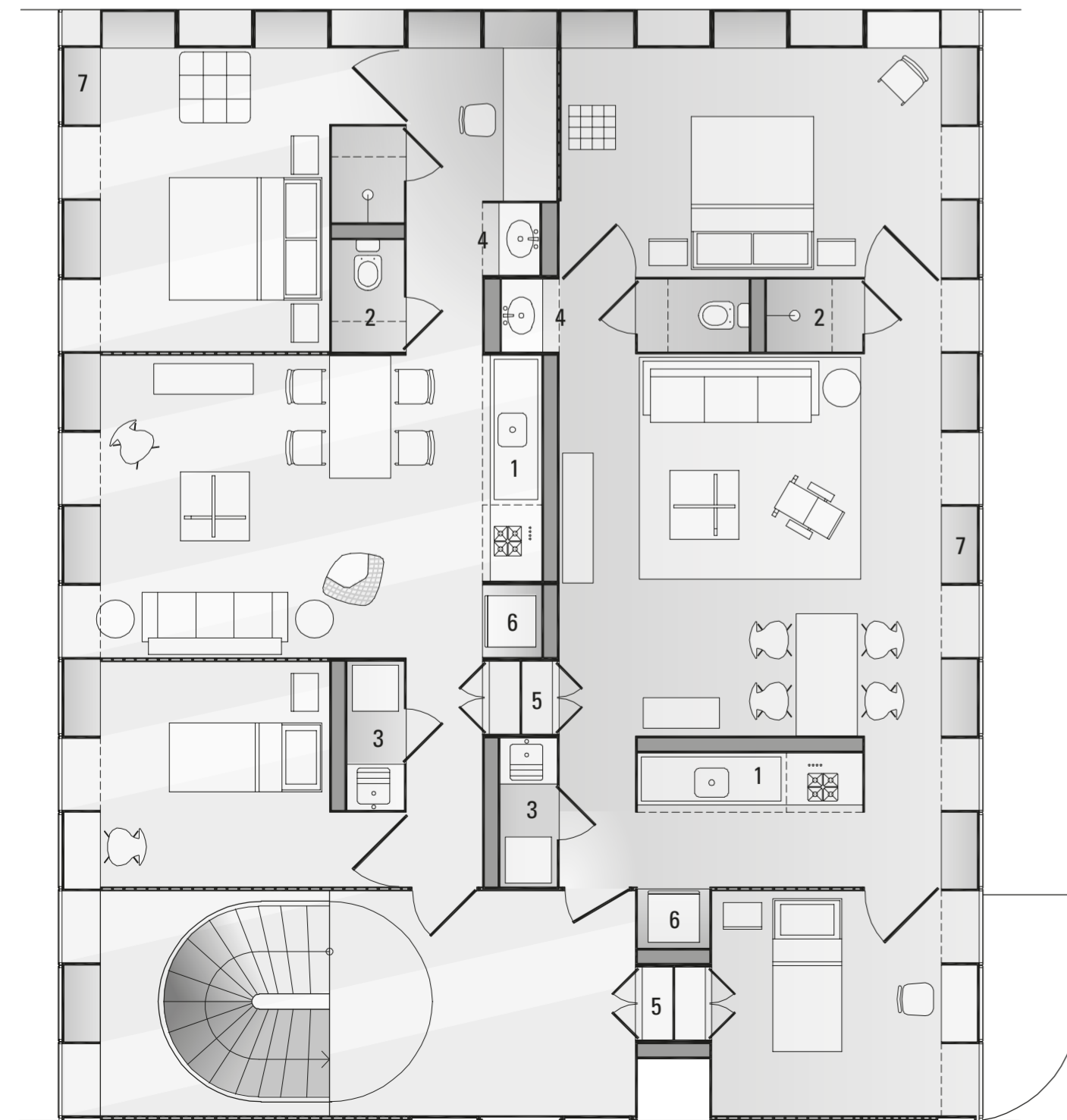
- prefab modules**
- 1 kitchen
 - 2 bathroom
 - 3 laundry
 - 4 sink cabinet
 - 5 cupboard
 - 6 refrigerator
 - 7 shelf support

Esc 1:75



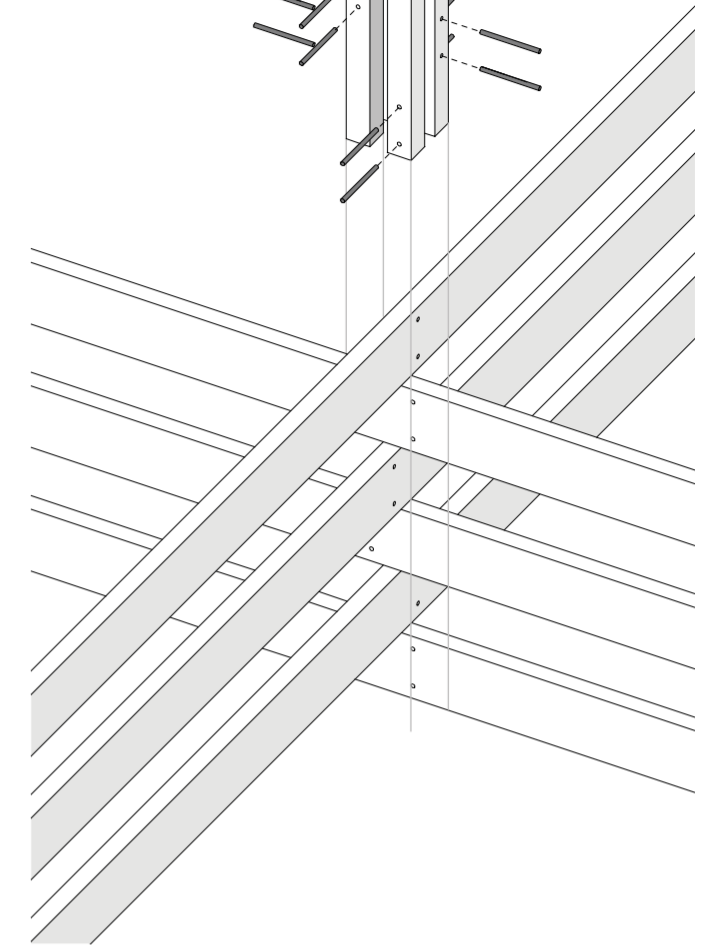
plan
ap 115 and 117

Esc 1:75



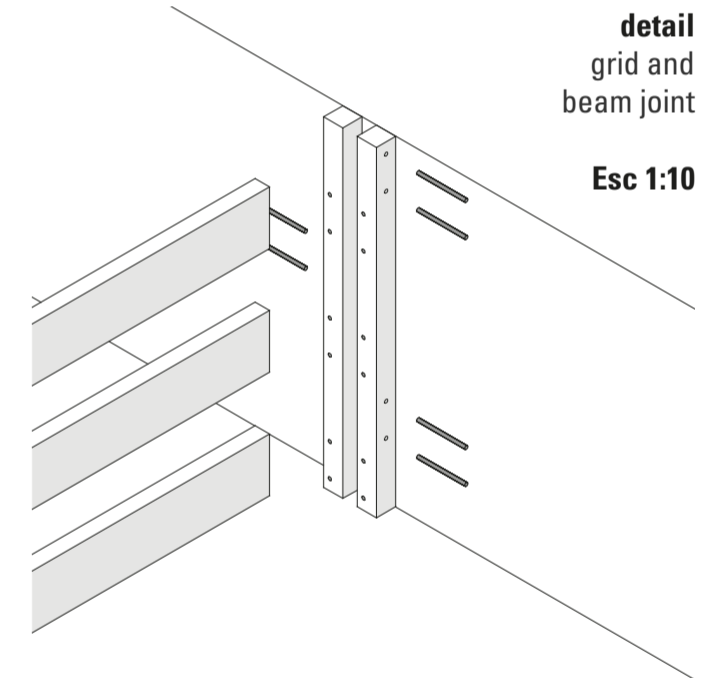
detail
grid fixing
system and
flooring
support

Esc 1:10



detail
grid and
beam joint

Esc 1:10



detail
composite
pillar

Esc 1:10

