
CERTIFICATE OF APPROVAL

No CAF 184

This is to certify that, in accordance with
TS00 General Requirements for Certification of Fire Protection Products
The undermentioned products of

**Designated CERTIFIRE Approved Door and Blank Manufacturers
as Converted by**

METSA WOOD UK LTD

**Old Gold Course, Fishtoft Road, Boston, Lincs, PE21 0BJ
Tel: 0845 601 2401**

Have been assessed against the requirements of the Technical Schedule(s)
denoted below and are approved for use subject to the conditions
appended hereto:

SCOPE OF APPROVAL

Approved For The Provision Of
Door Frames And Door Frame
Kits For fire Doors Manufactured
by CERTIFIRE Approved
Companies As Specified In This
Certificate

TECHNICAL SCHEDULE

TS10 Fire Resisting Door
Assemblies With Non- Metallic
Leaves

Signed and sealed for and on behalf of Exova (UK) Limited trading as
Warrington Certification



Paul Duggan
Certification Manager



Issued: 21st January 2008
Reissued: 19th March 2018
Valid to: 18th March 2023

Page 1 of 7



CERTIFICATE No CAF 184
METSA WOOD UK LTD

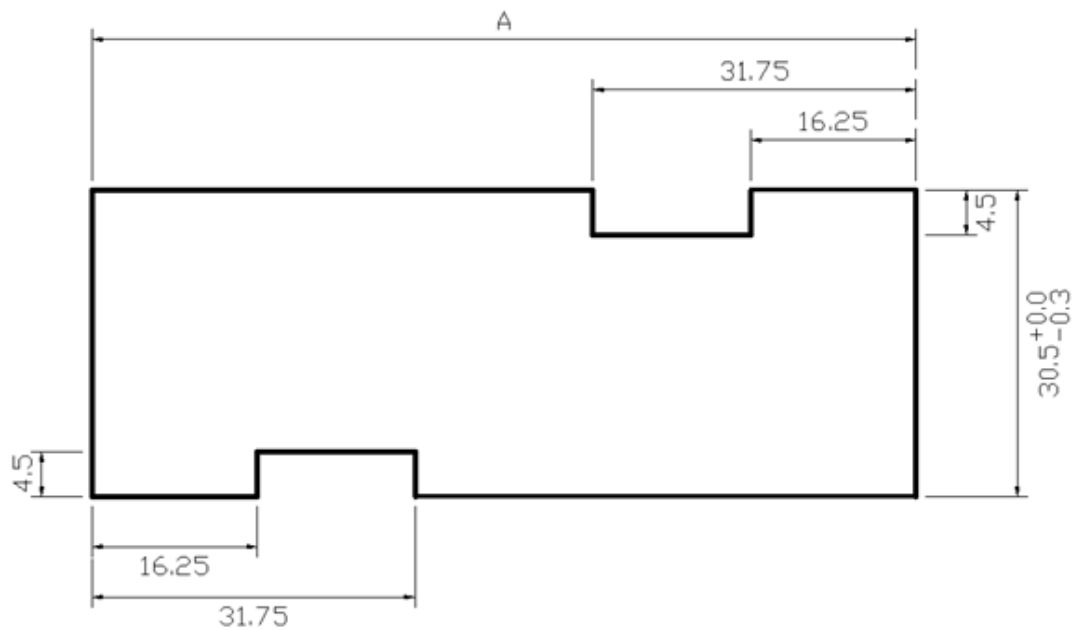
1. This approval relates to the manufacture of door frames for use with specified CERTIFIRE approved fire doors. Subject to the undermentioned conditions, the doors when fitted in the frame and with hardware and seals specified in the door leaf certificate are designed to meet the requirements as detailed in the relevant certificates.
2. This certification is designed to demonstrate compliance of the product or system specifically with Approved Document B (England and Wales), Section 2 of the Technical Standards (Scotland), Technical Booklet E (N. Ireland). If compliance is required to other regulatory or guidance documents there may be additional considerations or conflict to be taken into account.'
3. Softwood frames shall be manufactured in accordance with the frame specification as defined in the Figures 1, 2 and 3.

MDF frames shall be manufactured in accordance with the frame specification as defined in Figures 4 and 5
4. MDF frames must meet the requirements as detailed in the relevant CERTIFIRE door certification. Table 1 lists a range of CERTIFIRE doors which can be paired with one or all of the MDF frames detailed in Figures 4 and 5.
5. The frames are approved for use with
CERTIFIRE approved FD30 single-acting, single leaf, latched doorsets of maximum leaf dimensions 2040 mm high by 926 mm wide and of minimum thickness 44 mm. The doorset assemblies shall consist of timber faced and edged leaves with timber, cellulosic or mineral cores in timber frames (Code ITT).
6. Processing is conducted in accordance with Metsa Wood UK Ltd procedures.
7. The process is approved on the basis of on-going certification of quality management system to ISO 9001:2008.
8. Inspection and surveillance of factory production control.
9. The approval relates to on-going production.
10. Approved frames carry a label identified with Metsa Wood UK Ltd.'s name and contact number, the CERTIFIRE name, or name and mark, together with the CERTIFIRE certificate number and a unique serial number.

**CERTIFICATE No CAF 184
METSА WOOD UK LTD**

Figure 1 – Details for Fire Door Linings

Lining Section

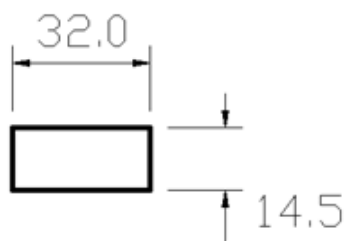


'A'

Minimum 106mm

Maximum 144mm

Door Stop Section



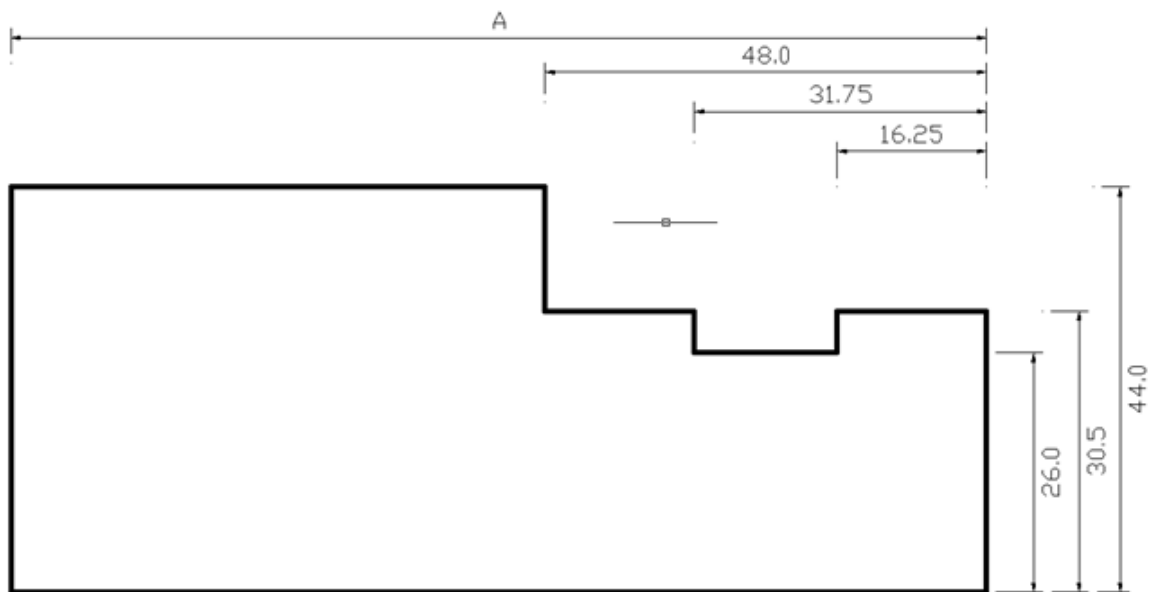
Length of product defined by statement 5 on page 2



**CERTIFICATE No CAF 184
METSА WOOD UK LTD**

Figure 2 – Details for Fire Door Casings

Casing Section



'A'

Minimum 94mm

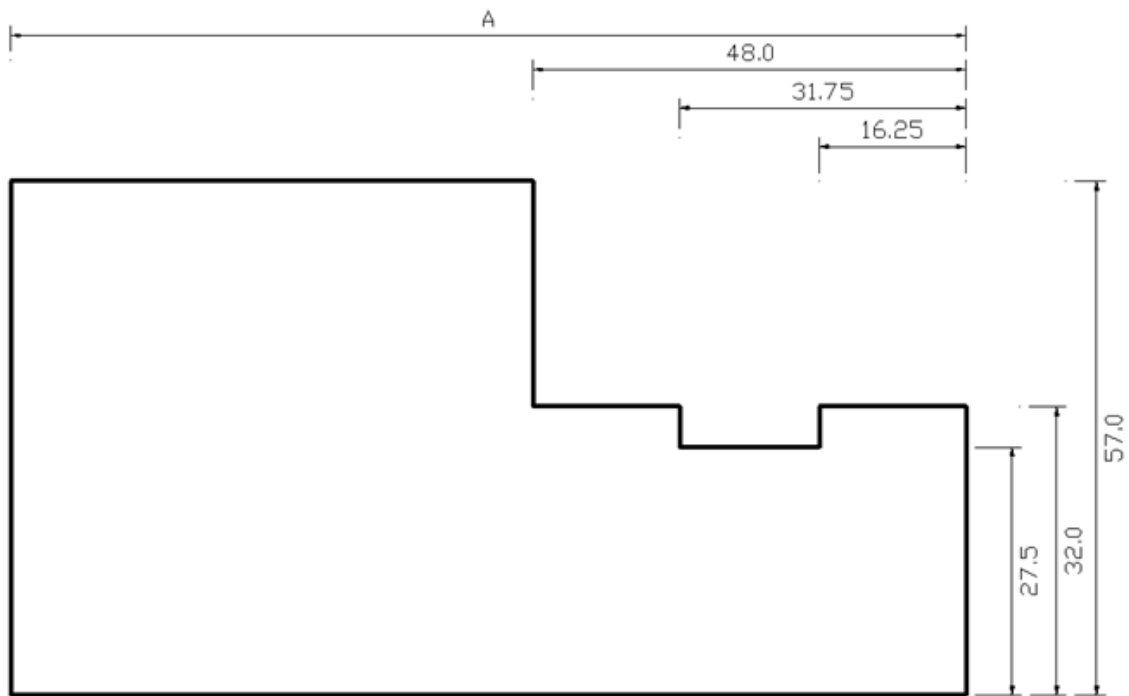
Maximum 144mm

Length of product defined by statement 5 on page 2

**CERTIFICATE No CAF 184
METSAs WOOD UK LTD**

Figure 3 –Details for Fire Door Casings

Casing Section



'A'

Minimum 94mm

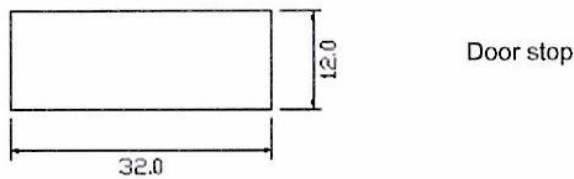
Maximum 144mm

Length of product defined by statement 5 on page 2

**CERTIFICATE No CAF 184
METSА WOOD UK LTD**

Figure 4 –Details of MDF fire door Linings

Door Stop Section



Lining Section

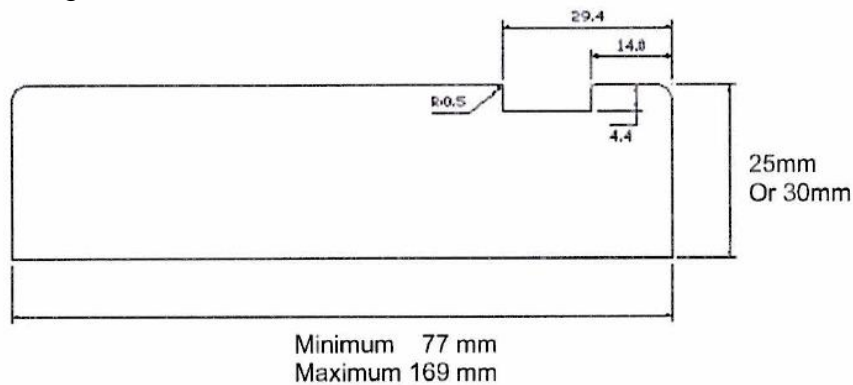
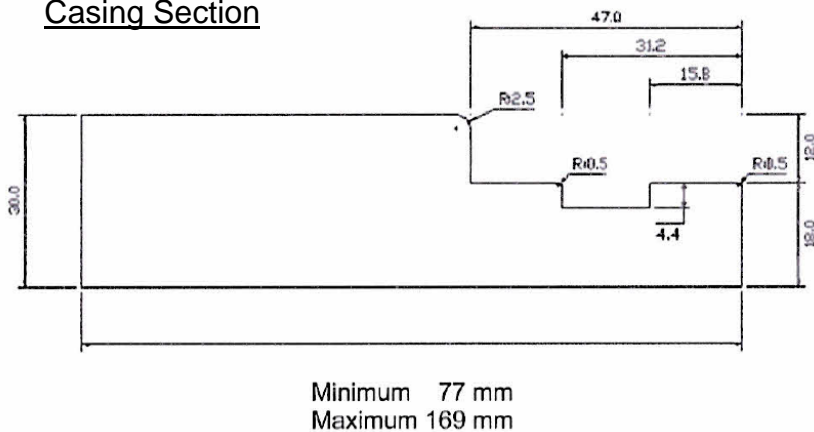


Figure 5 –Details of MDF fire door Casings

Casing Section



Length of product defined by statement 5 on page 2



CERTIFICATE No CAF 184 METSА WOOD UK LTD

Table 1:

Applicable CERTIFIRE doors for use with MDF door linings and casings, subject to the relevant CERTIFIRE door certification.

CERTIFIRE Certificate	Company
CF 160	Jeld-Wen
CF 192	Jeld-Wen
CF 572	Jeld-Wen
CF 573	Jeld-Wen
CF 195	Premdor Crosby
CF 198	Premdor Crosby
CF 240	Premdor Crosby
CF 380	Premdor Crosby
CF 625	Premdor Crosby